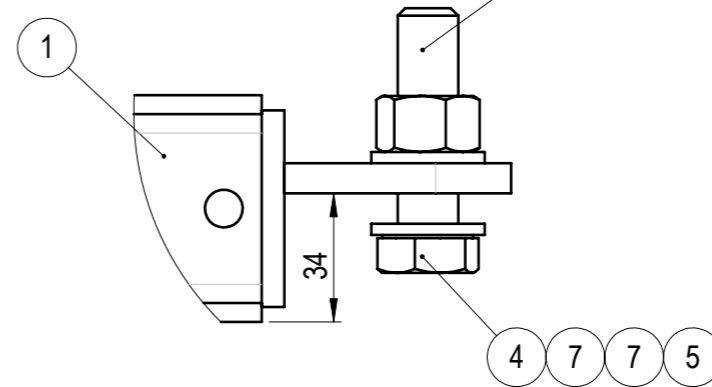
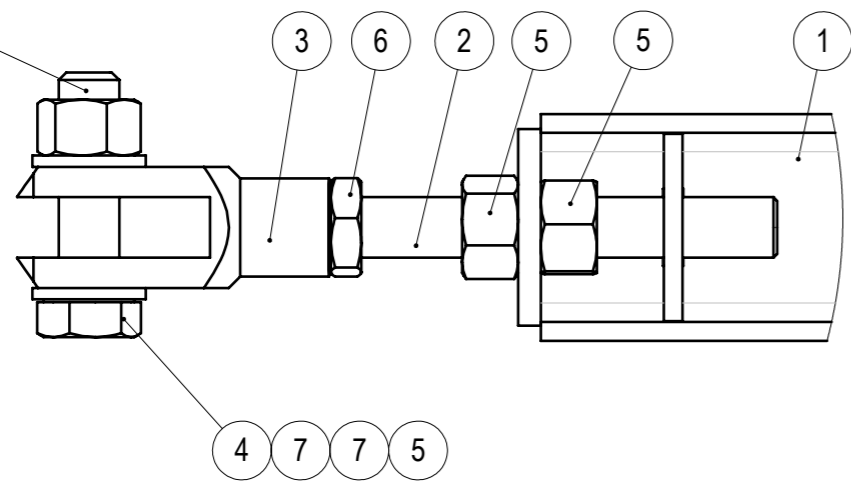


A
SCALE: 1 : 2

B
SCALE: 1 : 2

Bolt orientation determined at final assembly!

Bolt orientation determined at final assembly!



NO.	PART NO	DESCRIPTION	MATERIAL	PROCESSING	REVISION	WEIGHT	QTY
1	105-09206-00	Tie link body 3	-	WLD HDG		11.13	1
2	105-09201-01	Metric thread M16 stud 150mm	HDG-8.8	COTS CND		0.23	1
3	Elesa+Ganter_DIN_71752_M16	Fork head without bolt	-	COTS		0.28	1
4	ISO4017 (DIN933) M16x60	Hex bolt	HDG-8.8	COTS		0.13	2
5	ISO4032 (DIN934) M16	Hex nut	HDG-8	COTS		0.04	4
6	ISO4035 (DIN439) M16	Hex thin nut	EZn-04	COTS		0.02	1
7	ISO7089 (DIN125) M16	Plain Washer	HDG-HV200	COTS		0.01	4

WEMPS
ENGINEERING SERVICES

MATERIAL	WEIGHT	DEBURR AND BREAK SHARP EDGES	REVISION	DATE
-	12.127 Kg	DO NOT SCALE DRAWING		23.05.2025
SURFACE PROTECTION	MACHINING	THERMAL CUTTING	WELDING	SCALE
-	ISO 2768 mK	ISO 9013 221	ISO 13920 BF	1:5
				FORMAT
				A3

NAME	SIGNATURE	PART NO.	105-09205-00	
Designed by	D. Dislers	DESCRIPTION		
Drawn by	D. Dislers	Tie link 3		
Technical ref.				
				SHEET 1/1